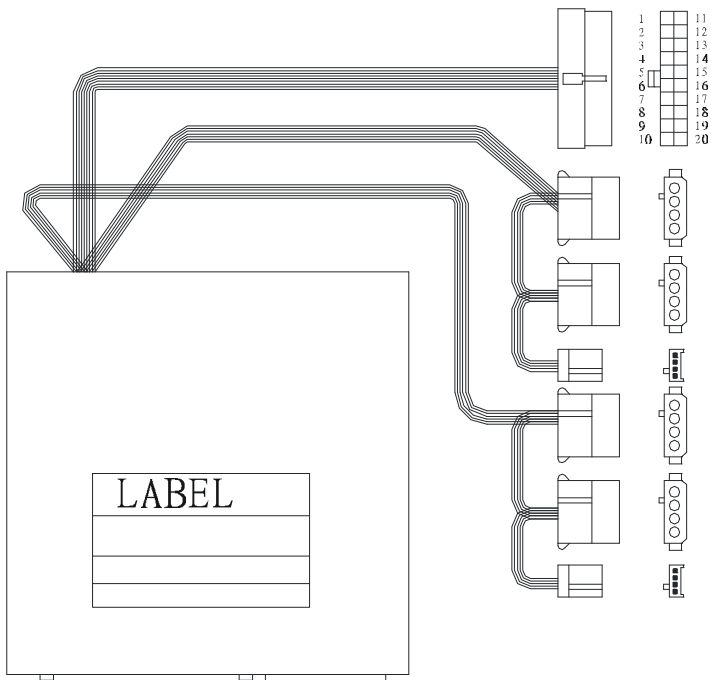
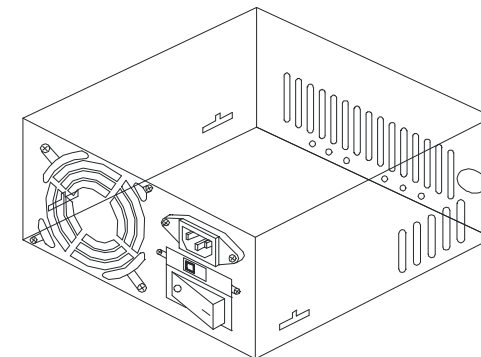


A

3



| DIM: | | PA | | |
|------------------------|-----|--------|--------------|--|
| | PIN | COLOR | V | |
| PA: 430 + 30MM -0MM | 1 | ORANGE | +3.3V | |
| | 2 | ORANGE | +3.3V *SENSE | |
| | 3 | BLACK | COMMON | |
| PB: 320 + 30MM -0MM | 4 | RED | +5V | |
| | 5 | BLACK | COMMON | |
| PC: 250 + 30MM -0MM | 6 | RED | +5V | |
| | 7 | BLACK | COMMON*SENSE | |
| PD: 250 + 30MM -0MM | 8 | GRAY | POWER GOOD | |
| | 9 | PURPLE | +5V S | |
| PE: 320 + 30MM -0MM | 10 | YELLOW | +12V | |
| | 11 | ORANGE | +3.3V | |
| PF: 250 + 30MM -0MM | 12 | BLUE | -12V | |
| | 13 | BLACK | COMMON | |
| PG: 250 + 30MM -0MM | 14 | GREEN | P. S -ON | |
| | 15 | BLACK | COMMON | |
| | 16 | BLACK | COMMON | |
| | 17 | BLACK | COMMON | |
| | 18 | WHITE | -5V | |
| | 19 | RED | +5V | |
| | 20 | RED | +5V | |



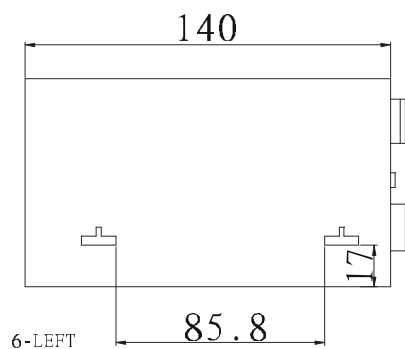
PB/PC/PE/PF

| PIN | COLOR | V |
|-----|--------|------|
| 1 | YELLOW | +12V |
| 2 | BLACK | GND |
| 3 | BLACK | GND |
| 4 | RED | +5V |

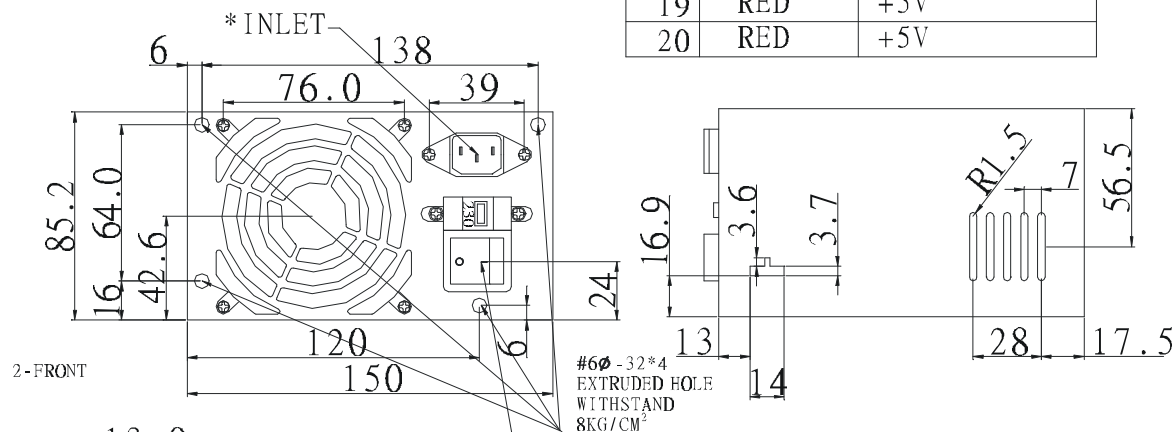
PD/PG

| PIN | COLOR | V |
|-----|--------|------|
| 4 | YELLOW | +12V |
| 3 | BLACK | GND |
| 2 | BLACK | GND |
| 1 | RED | +5V |

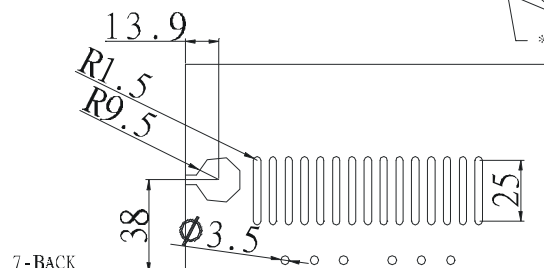
4-TOP



6-LEFT



2-FRONT



7-BACK

| QTY REQD | *SCW NO | PART OR IDENTIFYING NO | NOMENCLATURE OR DESCRIPTION | MATERIAL SPECIFICATION | ITEM NO |
|--|---------|------------------------|------------------------------------|------------------------|--------------------------------|
| PARTS LIST | | | | | |
| UNLESS OTHERWISE SPECIFIED DIMENSIONS ARE IN CENTIMETERS TOLERANCES ARE: * 0 = ±0.2 * 0 = ±0.15 * ** = -0.1 | | | CONTRACT NO. HPS-300-101 | TITLE | |
| TREATMENT | | | CHECKED | <h1>SIRTEC</h1> | |
| FINISH 88/11/09 | | | APPROVED | | |
| SIMILAR TO | ACT. WT | CALC. WT | SIZE A3 | REV: A0 | PRT NO: 91.30000.101 |
| SCALE | | | | MM | *FIG NO. C0006 |

1

2

3

4