

4

3

2

1

P/A	
PIN	COLOR
2	ORANGE
7	BLACK
	V
	+3.3V*SENSE
	+3.3V*SENSE

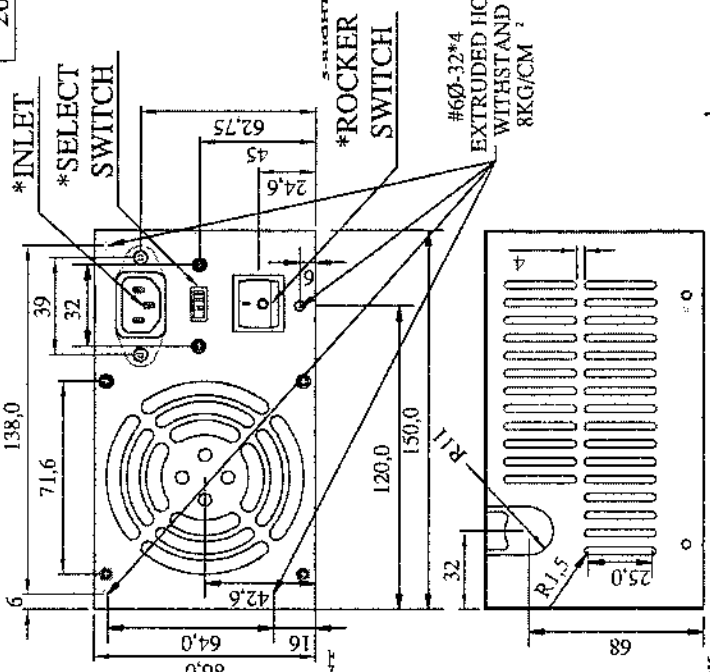
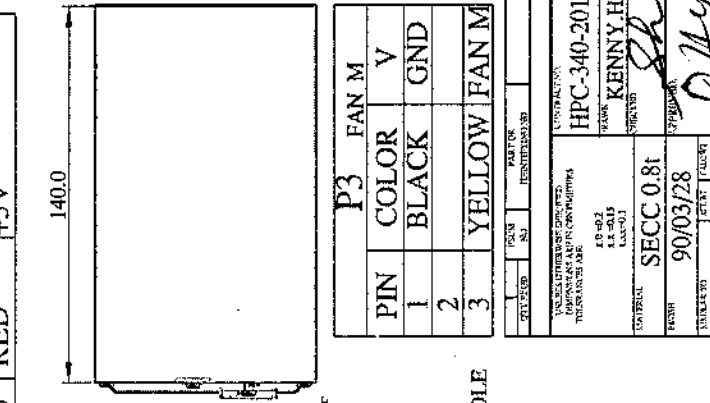
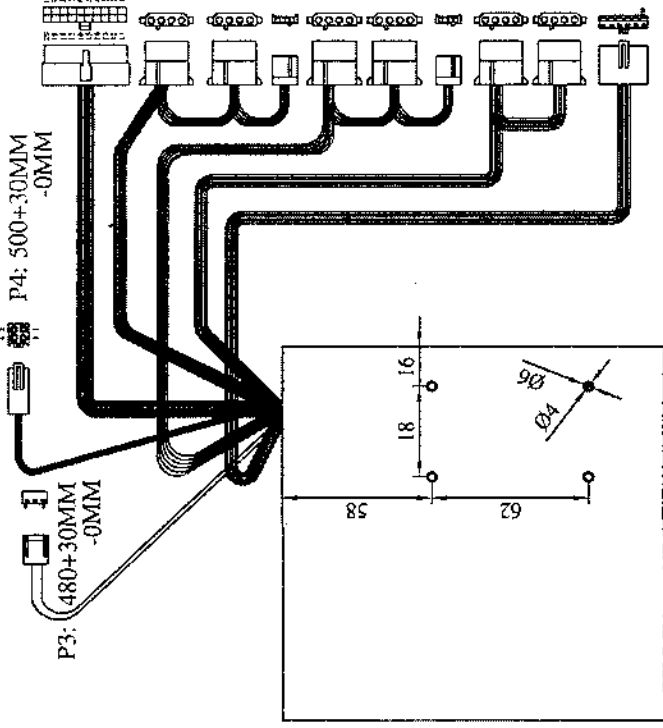
PB/PC/PE/PF/PH/PI	
PIN	COLOR
1	YELLOW
2	BLACK
3	BLACK
4	RED
	V
	+12V
	GND
	GND
	+5V

PD/PG	
PIN	COLOR
4	YELLOW
3	BLACK
2	BLACK
1	RED
	V
	+12V
	GND
	GND
	+5V

P6	
PIN	COLOR
1	BLACK
2	BLACK
3	BLACK
4	ORANGE
5	ORANGE
6	RED
	V
	GND
	GND
	GND
	+3.3V
	+3.3V
	+5V

PA	
PIN	COLOR
1	ORANGE
2	ORANGE
3	BLACK
4	RED
5	BLACK
6	RED
7	BLACK
8	GRAY
9	PURPLE
10	YELLOW
11	ORANGE
12	BLUE
13	BLACK
14	GREEN
15	BLACK
16	BLACK
17	BLACK
18	WHITE
19	RED
20	RED
	V
	+3.3V
	+3.3V
	COMMON
	+5V
	COMMON
	+5V
	COMMON
	POWER GOOD
	+5V S
	+12V
	+3.3V
	-12V
	COMMON
	P.S-ON
	COMMON
	COMMON
	COMMON
	-5V
	+5V
	+5V

DIM:	
PA:	500+30MM -0MM
PB:	500+30MM -0MM
PC:	200+30MM -0MM
PD:	200+30MM -0MM
PE:	500+30MM -0MM
PF:	200+30MM -0MM
PG:	200+30MM -0MM
PH:	500+30MM -0MM
PI:	200+30MM -0MM
P6:	500+30MM -0MM



P4: +12V Power Connector (For ATX12V configurations only)	
Connector:	MOLEX 39-01-2040 or equivalent
PIN	COLOR
1	BLACK
2	BLACK
3	YELLOW
4	YELLOW
	V
	COM
	COM
	+12V
	+12V

DESIGN NO.	REV.	DATE	SCALE
HPC-340-20112V	C0	91.34021.002	1:1
DESIGNER	CHECKER	DATE	SCALE
KENNY V. HSIEH			
DESIGN NO.	REV.	DATE	SCALE
HPC-340-20112V	C0	91.34021.002	1:1
DESIGNER	CHECKER	DATE	SCALE
KENNY V. HSIEH			
DESIGN NO.	REV.	DATE	SCALE
HPC-340-20112V	C0	91.34021.002	1:1
DESIGNER	CHECKER	DATE	SCALE
KENNY V. HSIEH			

**SIRTEC**  
SIRTEC INTERNATIONAL CO., LTD.  
協益電子股份有限公司  
電子事業部

4

3

2

1