

Switching Power Supply Specifications

Model Name : HPL-200-201

Version :

Issue Date : APR,24,2001

Table of Contents

1. General

1.1 Scope

2. Input Characteristics

2.1 Input Voltage

2.2 Input Frequency

2.3 Max. Input AC Current

2.4 Inrush Current

2.5 Efficiency

3. Output characteristics

3.1 Normal Operation Output

3.2 Remote On/Off controlled mode

3.3 Regulation

3.4 Rise Time

3.5 Hold-up Time

3.6 5 VSB

3.7 PG-OK

3.8 3.3V Sense

4. Protection

4.1 Input Protection

4.2 Output Protection

5. Start Stability

5.1 No Load Start

5.2 Cold Start

Switching Power Supply Specifications

Model Name : HPL-200-201

Version :

Issue Date : APR,24,2001

6. Environments

- 6.1 Temperature and Humidity
- 6.2 Altitude
- 6.3 Vibration and Shock

7. Conducted EMI

8. Product Safety

- 8.1 Safety Requirement
- 8.2 Leakage Current
- 8.3 Insulation Resistance
- 8.4 Dielectric Voltage Withstand

9. Power Good Signal

10. MTBF

11. Harmonics

12. Burn-In

- 12.1 Input Voltage
- 12.2 Test Condition

13. Mechanical Specification

- 13.1 Outline Dimension
- 13.2 Weight
- 13.3 Pin Assignment

Switching Power Supply Specifications

Model Name : HPL-200-201

Version :

Issue Date : APR,24,2001

1. General

1.1 Scope

This specification defines the general design and performance requirements for HPL-200-201 switching power supply .This power supply really power is 150W also can meet the Energy Start computer requirement specified by Environment Protection Agency of America. It also supports remote On/Off control function.Standby voltage and 3.3VDC output which will be the major trend for power supply in future.

2. Input Characteristics

2.1 Input Voltage

Nominal Voltage	Voltage Variation Range
-----	-----
115 Vrms	90 - 132 Vrms
230 Vrms	180 - 264 Vrms

* The power supply is designed to operate in two specified voltage range depending upon inside manual input voltage jumper selected.

2.2 Input Frequency

Nominal Frequency	Frequency Variation Range
-----	-----
50/60 Hz	47 Hz to 63 Hz

* Waveform harmonic distortion will be less than 5%.

* The power supply must operate at above frequency with both 90-132/180-264 Vrms input voltage range.

2.3 Max. Input AC Current

Max. Input Current	Measuring Range
-----	-----
5A	90-132 Vrms
3A	180-264 Vrms

Switching Power Supply Specifications

Model Name : HPL-200-201

Version :

Issue Date : APR,24,2001

2.4 Inrush Current

Less than the ratings of it's critical components (Including bulk rectifiers.Fuses and surge limiting device).

2.5 Efficiency

HPL-200-201 provides an efficiency of 65 % minimum when measured at full load under 115V/60Hz and 230V/50Hz. condition.

3. Output characteristics

3.1

a. Normal Operation Output

Output Voltage	Load	Range	MIN	MAX	Regulation	Ripple&Noise Peak-to-Peak Max.	Ripple Peak-to-Peak Max.
1. +5V	1.5 A	17.0 A	A	A	+5% ~ -5%	100 mV	80 mV
2. +12V	0.05 A	4.8 A	A	A	+5% ~ -5%	200 mV	120 mV
4. -12V	0.0 A	0.3 A	A	A	+10% ~ -10%	200 mV	150 mV
5. +5Vs	0.0 A	1.0 A	A	A	+5% ~ -5%	100 mV	80 mV
6. +3.3V	0.5 A	6.0 A	A	A	+5% ~ -5%	100 mV	80 mV

* . The max load can't be over 110W when both DC +5V and +3.3V are used.

* Maximum total peak output power shall not exceed 200 watts

NOTE:

- Noise test should be measured with 20 MHz bandwidth frequency oscilloscope. The output terminal shall add a tantalum capacitor of 10uF in parallel with a ceramic capacitor of 0.1uF.
- Regulation should cover +/-20% dynamic output current changed within the static limit of para 3.1 for any one of combination of levels at frequency less than 1 KHz

3.2 Remote On/Off Controlled mode

When AC power present, the power supply shall be in save mode operation and +5Vsb shall within its regulation window. When there comes a TTL "L" signal inserted, the power supply shall be on. When TTL signal "H" is inserted the power supply shall be off.

TTL level "H" 3.0V - 5.5V

"L" 0.0V - 0.8V

Switching Power Supply Specifications

Model Name : HPL-200-201

Version :

Issue Date : APR,24,2001

3.3 Regulation

The cross regulation defined as follows, the output regulation should be within the specified range.

Load	+5V	+3.3V	+12V	-12V
1	15.0A	6.0A	4.0A	0.3A
2	1.5A	0.5A	0.05A	0.0A
3	5.0A	6.0A	2.0A	0.3A
4	8.0A	2.0A	0.3A	0.0A
5	20.0A	6.0A	6.0A (15 sec)	0.5A

3.4 Rise Time

DC output rise time is less than 100 mS at nominal line and full load.

3.5 Hold-up Time

DC +5V output maintains at least 16mS after power off which hold within para 3.1.

3.6 5 VSB

5VSB is required for the implementation of PS-ON described above. 5 VSB is a standby voltage that may be used to power circuits that require power input during the powered-down state of all power rails. The 5 VSB pin should deliver $5V \pm 5\%$ at a minimum of 1.0 A for PC board circuits to operate. Conversely, PC board should draw no more than 1.0 A maximum from this pin. This power may be used to operate circuits such as soft power control.

Switching Power Supply Specifications

Model Name : HPL-200-201

Version :

Issue Date : APR,24,2001

3.7 PG-OK

PG-OK is a power good signal and should be asserted high by power supply to indicate that the +5 VDC and +3.3 VDC outputs are above the under-voltage thresholds of the power supply. When this signal is asserted high, there should be sufficient mains energy stored by the converter to guarantee continuous power operation within specification. Conversely, when either the +5VDC or the +3.3VDC output voltage falls below the under-voltage threshold, or when mains power has been removed for a time sufficiently long so that power supply operation is no longer guaranteed, PG-OK should be deasserted to a low state. See Figure 1 for a representation of the timing characteristics of the PG-OK,PS-ON, and germane power rail signals.

3.8 3.3V Sense

A default 3.3V sense line should be implemented pin 11 of the connector.

4. Protection

4.1 Input Protection

In primary circuit of the power supply , a protected fuse is inserted. Only internal fault of the power supply will cause the fuse blown. Any overload or short circuit at DC output will not cause fuse brown or fire hazard.

4.2 Output Protection

4.2.1 Over Voltage Protection

The +5V/+12V DC output are protected against the over voltage condition . Maximum value can't be over 6.5V at 5V terminal,15.6V at 12V and 4.6V at 3.3V.

4.2.2 Short Circuit Protection

Short circuit placed on any DC output will shut down all DC outputs and latch.

4.2.3 Over Power Protection

The power supply can be used electronic circuit to limit the output current against exceeding 60% of surge output power or protected against excessive power delivery since short circuit of any output or over total power at nominal line.

Switching Power Supply Specifications

Model Name : HPL-200-201

Version :

Issue Date : APR,24,2001

5. Start Stability

5.1 No Load Start

When power is applied to HPL-200-201 with no load connected or under minimum load connected, neither damage to power supply nor hazards to users should occur.

5.2 Cold Start

The power supply shall operate properly when first applied after 8 hours storage in 10°C environment.

6. Environments

6.1 Temperature and Humidity

6.1.1 Operating

Temperature 10 to 50 °C

Relative Humidity 20 to 90 %

6.1.2 Storage

Temperature -20 to 60 °C

Relative Humidity 5 to 95 % noncondensing

6.2 Altitude

The power supply can operate normally at any altitude between 0 to 8000 feet.

6.3 Vibration and Shock

6.3.1 Sweep and resonance search for each of X,Y,Z, axis at the sweep rate of octave/min

Frequency	Duration	Amplitude
5 – 25.6 Hz	2 minutes	0.38 mm
25.6 - 250 Hz	4 minutes	0.5G

Switching Power Supply Specifications

Model Name : HPL-200-201

Version :

Issue Date : APR, 24, 2001

7. Conducted EMI

The power supply will comply with FCC DOCKET 20780, Part 15 Class B limit for 115Vac input, FTZ 243 Class B for 230 Vac input and VCCI CLASS 2 requirement.

8. Product Safety

8.1 Safety Requirement

The power supply will be recognized under UL Standard 1950 without D3 deviation, certified with CSA standard C22.2 No.234-M90 safety requirements, and type approval with IEC publication 950 with A2 amendments.

8.2 Leakage Current

The AC leakage current is less than 3.5mA when the power supply connect to 254Vac/50Hz .

8.3 Insulation Resistance

The insulation resistance should be not less than 30M ohm after applying of 500VDC for 1 minute.

8.4 Dielectric Voltage Withstand

The power supply shall withstand for 1 minute without breakdown by the application of a 60Hz 1500V AC voltage applied between both input line and chassis (20mA DC cut-off current). Main transformer shall similarly withstand 3000Vac applied between both primary and secondary windings for a minimum of one minute.

Switching Power Supply Specifications

Model Name : HPL-200-201

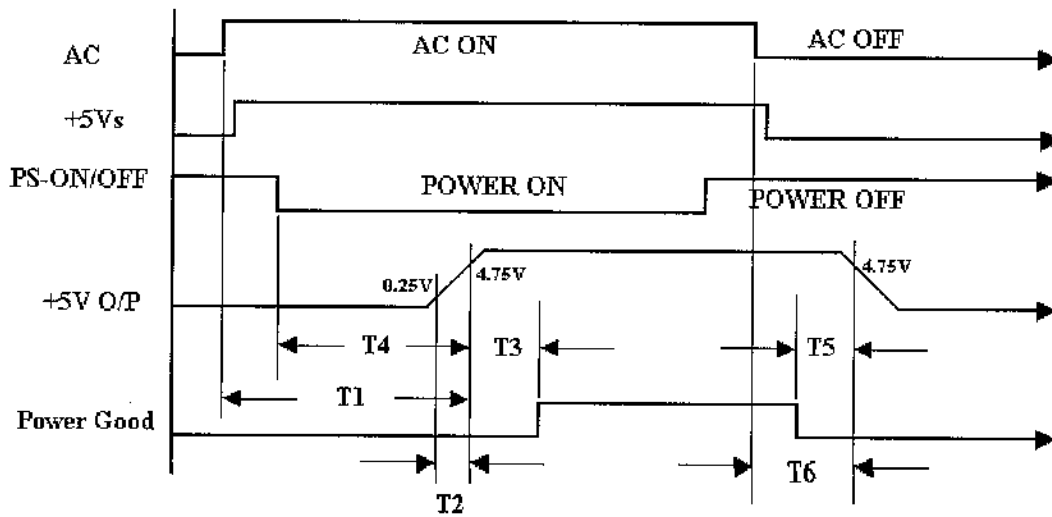
Version :

Issue Date : APR,24,2001

9. Power Good Signal

A TTL compatible signal for the purpose of initiating an orderly start-up procedure under normal input operating conditions. During power up, this signal is asserted (low) until +5V is under regulation and AC reaches min. line voltage. After all voltage are going appropriate level, the system may have a turn on delay of 100mS, but no greater than 500mS. During power off the signal should go to low level before +5V is out of regulation. The low level is 0 to 0.8V and high level is 4.75 to 5.25V. The " Power Good "signal can drive up to 6 standard TTL loads.

Time Diagram



* T1 : Turn on time (2 sec. Max.)

* T2 : Rise time (\leq 100mS Max.)

* T3 : Power good turn on delay time (100 < T3 < 500 mS)

* T4 : Switch on time (1 sec. Max.)

* T5 : Power good turn off delay time (1.0 mS Min.) PS-ON/OFF

* T6 : Power hold-on time (16 mS Min.)

When the power supply is turned off for a minimum of 1.0 sec. and turn on again, the power good signal will be asserted.

Switching Power Supply Specifications

Model Name : HPL-200-201

Version :

Issue Date : APR,24,2001

10. MTBF

The MTBF of the power supply should be 100,000hrs min , under the condition as below :

1. Input Voltage : 110/220VAC \pm 10%
2. Load : 75% of Max. Load
3. Environmental Temperature : 25⁰C

11. Harmonics

The product shall meet requirement for EN61000-3-2 & EN61000-3-3 :1995 standard of class D, test at 230Vac 50Hz.

12. Burn-In

12.1 Input Voltage

Applying 220Vac for 230V model, and 110Vac for 115V.

12.2 Test Condition

Applying 80% loads for the power supply in 45 (+/-5) ⁰C chamber for 4 hours.

13. Mechanical Specification

13.1 Outline Dimension

Please refer the mechanical drawing of HPL-200-201

13.2 Weight

Maximum weight is 2.0 Kgs.

13.3 Pin Designation :

13.3-1 DC CONNECTOR REQUIREMENTS

List or recognized component appliance wiring material(AVLV2) , CN , rated min 85⁰C , 300VAC shall be used for all output wiring. .

Switching Power Supply Specifications

Model Name : HPL-200-201

Version :

Issue Date : APR,24,2001

13.3-2 BASEBOARD CONNECTOR

PA

CONNECTOR : MOLEX 39-01-2200 OR APPROVED EQUIVALENT

20 AWG Wire	Signal	Pin	Pin	Signal	20 AWG Wire
Orange(20AWG)	+3.3 VDC	11	1	+3.3 VDC	Orange
Brn (20AWG)	3.3V default sense	11			
Blue	-12 VDC	12	2	+3.3 VDC	Orange
Black	COM	13	3	COM	Black
Green	PS-ON	14	4	+5 VDC	Red
Black	COM	15	5	COM	Black
Black	COM	16	6	+5 VDC	Red
Black	COM	17	7	COM	Black
NC	Reserved	18	8	POK	Gray
Red	+5 VDC	19	9	+5 Vsb	Purple
Red	+5 VDC	20	10	+12 VDC	Yellow

13.3-3 PERIPHERAL CONNECTORS

PB,PC, PE, PF

Connector : AMP 1-480424-0 or MOLEX 8981-04P or approved equivalent

Contacts : AMP 61314-1 terminals or equiv

PD

Connector : AMP 171822-4 or approved equivalent

Pin	Signal	20 AWG Wire	Pin	signal	22 AWG Wire
1	+12 VDC	Yellow	1	+5 VDC	Red
2	COM	Black	2	COM	Black
3	COM	Black	3	COM	Black
4	+5 VDC	Red	4	+12 VDC	Yellow