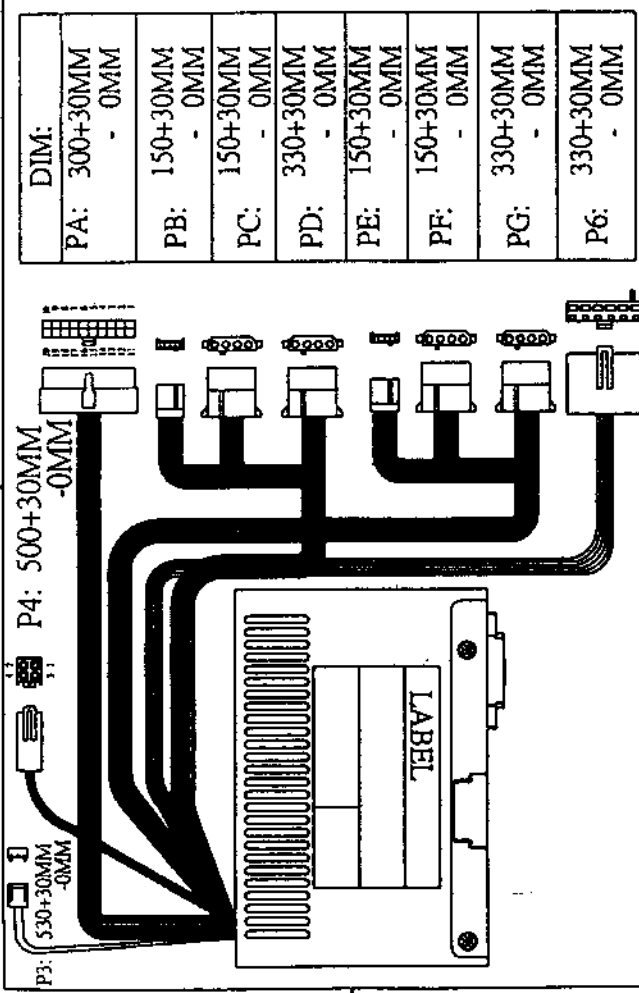


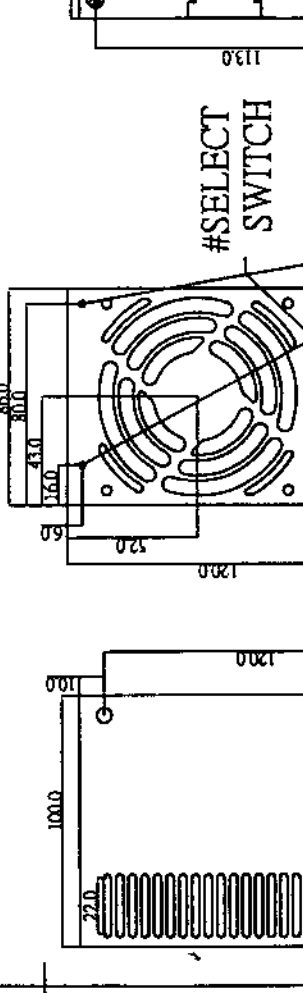
DIM:	
PA:	300+30MM - 0MM
PB:	150+30MM - 0MM
PC:	150+30MM - 0MM
PD:	330+30MM - 0MM
PE:	150+30MM - 0MM
PF:	150+30MM - 0MM
PG:	330+30MM - 0MM
P6:	330+30MM - 0MM

PA	
PIN	COLOR V
1	ORANGE +3.3V
2	ORANGE +3.3V
3	BLACK COMMON
4	RED +5V
5	BLACK COMMON
6	RED +5V
7	BLACK COMMON
8	GRAY POWER GOOD
9	PURPLE +5V S
10	YELLOW +12V
11	ORANGE +3.3V
12	BLUE -12V
13	BLACK COMMON
14	GREEN P.S-ON
15	BLACK COMMON
16	BLACK COMMON
17	BLACK COMMON
18	WHITE -5V
19	RED +5V
20	RED +5V



PC/PD/PF/PG	
PIN	COLOR V
1	YELLOW +12V
2	BLACK GND
3	BLACK GND
4	RED +5V

PB/PE	
PIN	COLOR V
1	RED +5V
3	BLACK GND
2	BLACK GND
4	YELLOW +12V

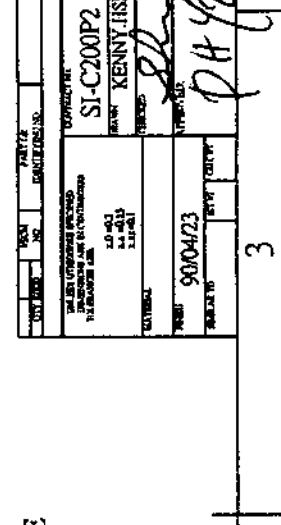


P6	
PIN	COLOR V
1	BLACK COM
2	BLACK COM
3	BLACK COM
4	ORANGE +3.3V
5	ORANGE +3.3V
6	RED +5V



P3 FAN M	
PIN	COLOR V
1	BLACK GND
2	BLACK GND
3	YELLOW FAN M

P4: (for ATX12V configurations only)	
Connector:	MOLEX 39-01, 2040 or equivalent
PIN	COLOR V
1	BLACK COM
2	BLACK COM
3	YELLOW +12V
4	YELLOW +12V



P4: (for ATX12V configurations only)	
Connector:	MOLEX 39-01, 2040 or equivalent
PIN	COLOR V
1	BLACK COM
2	BLACK COM
3	YELLOW +12V
4	YELLOW +12V

PART NO. 9000423  
 PART NAME: SI-C200P2  
 MANUFACTURER: KENNY FISHER  
 DATE: 91.04.13  
 DRAWN BY: PH Jett  
 CHECKED BY: PH Jett  
 SCALE: 1:1  
 DIMENSIONS: 20010423D

**SIRTEC**  
 SIRTEC INTERNATIONAL CO., LTD.  
 91.20002.P03  
 20010423D

No.6-32\*4  
 EXTRUDED HOLE

#INLET  
 #SELECT SWITCH